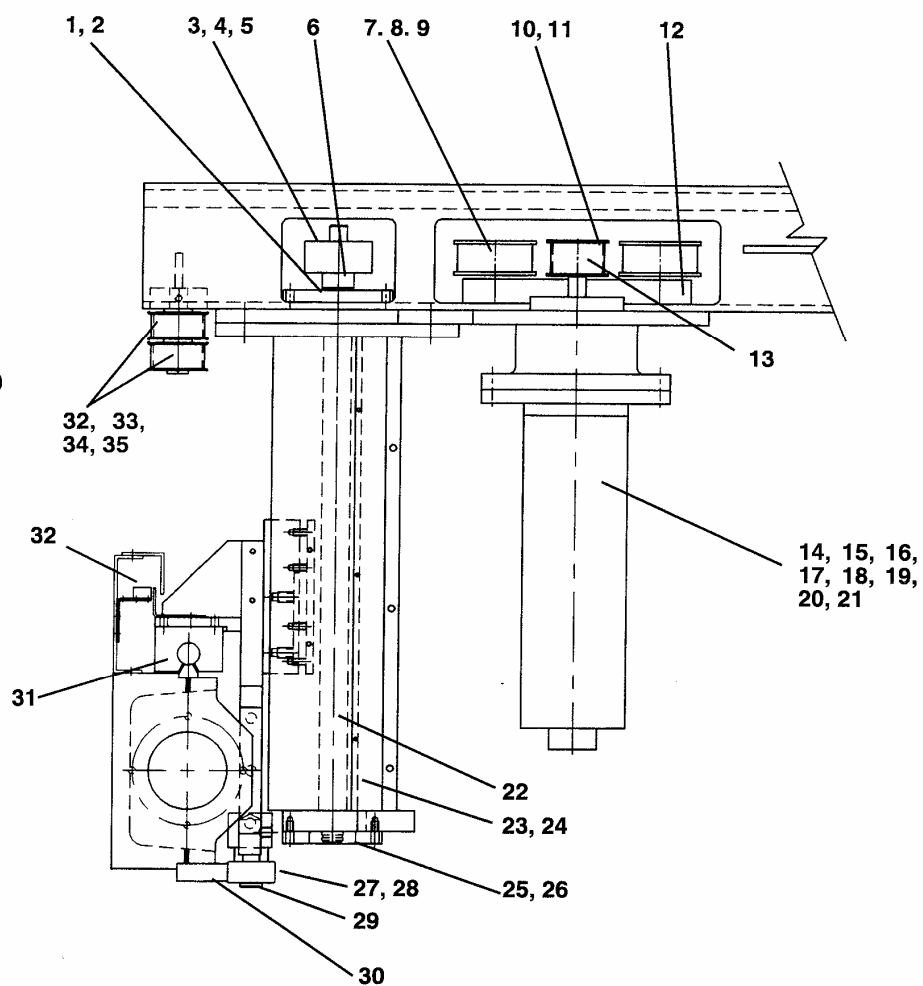
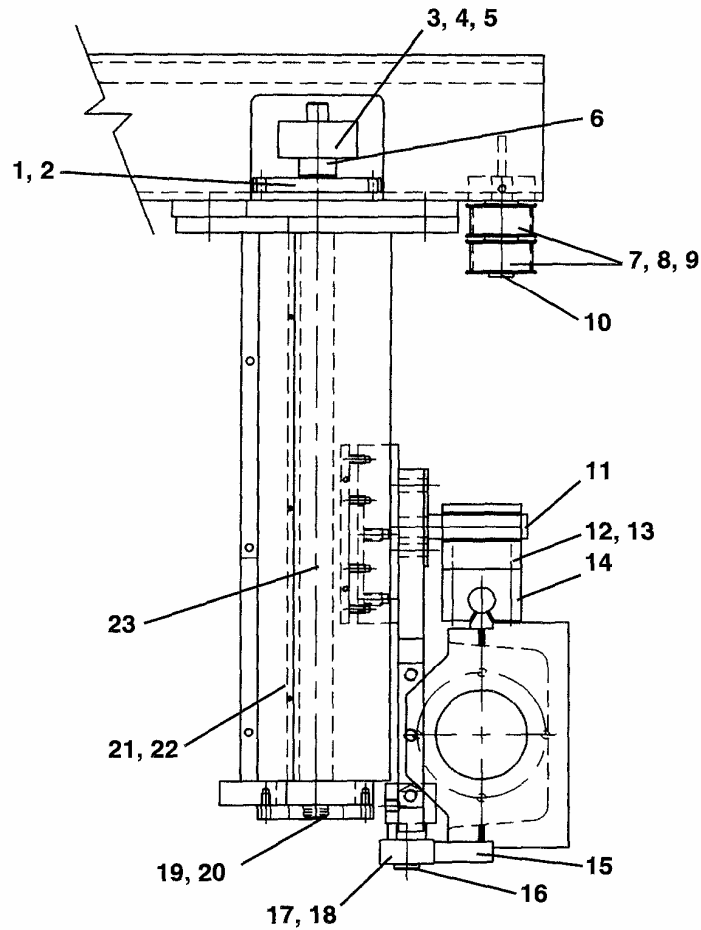


BG-3 X & R AXIS, CNC BACK GAUGE

ITEM	DESCRIPTION	PART NUMBER
1	Housing, upper bearing	7438-078
2	Bearing, radial	3178-699
3	Key	3301-432
4	Pulley, BG screw	7486-624
5	Flange, Pulley	3415-598
6	Spacer, pulley	7486-597
7	Roller, tension	7437-717
8	Bearing, radial	3178-699
9	Shaft, idler	3412-298
10	Pulley, servo motor	7438-175
11	Flange, pulley	3415-594
12	Pad, idler	7438-081
13	Key	3070-00-1690
14	Motor, servo	4450-081
15	Bearing, radial	3178-692
16	Adapter, flange	7438-072
17	Brake, 24 V	4250-630
18	Shaft, motor ext.	7438-193
19	Coupling, motor ext.	7438-192
20	Cable, motor	4197-200-XX
21	Cable, encoder	4197-196-XX
22	Ball screw assembly	3358-136
23	Rail	3162-334
24	Bearing block	3162-405
25	Housing, lower bearing	7437-758
26	Bearing, radial	3178-694
27	Roller, lower	7437-755
28	Bearing, ball	3178-690
29	Shaft, bottom roller	7437-754
30	Bar, rail bottom	7438-069
31	Rail, linear guide (20")	3162-309
	Rail, linear guide (40")	3162-311
32	Limit switch	4114-191
33	Bearing, radial	3178-692
34	Pulley flange	3415-598
35	Z-axis pulley	7438-070



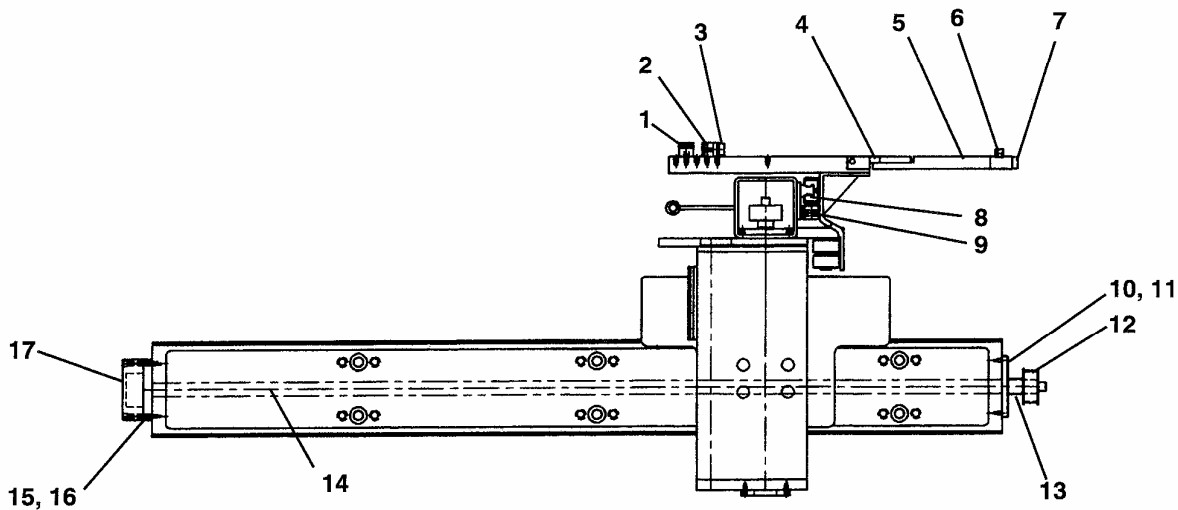
BG-3 CNC BACK GAUGE



BG-3 X & R AXIS (REAR VIEW - RIGHT SIDE)

ITEM	DESCRIPTION	PART NUMBER
1	Housing, upper bearing	7438-078
2	Bearing, radial	3178-699
3	Key	3301-432
4	Pulley, BG screw	7486-624
5	Flange, Pulley	3415-598
6	Spacer, pulley	7486-597
7	Z-axis pulley	7438-070
8	Bearing, radial	3178-692
9	Pulley flange	3415-598
10	Shaft, Z-axis	7438-065
11	Shaft, slide	7438-181
12	Block, slide	7438-182
13	Bearing, journal	3120-591
14	Rail, linear guide (20")	3162-309
	Rail, linear guide (40")	3162-034
15	Bar, rail bottom	7438-069
16	Shaft, bottom roller	7437-754
17	Bearing, ball	3178-690
18	Roller, lower	7437-755
19	Bearing, radial	3178-694
20	Housing, lower bearing	7437-758
21	Bearing block	3162-405
22	Rail	3162-334
23	Ball screw assembly	3358-136

BG-3 CNC BACK GAUGE

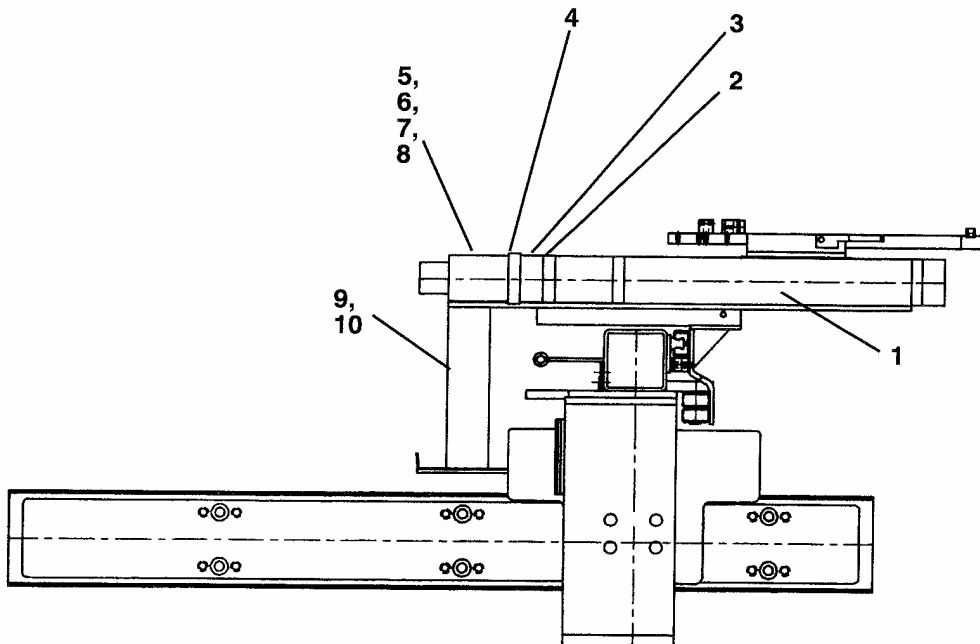


FINGER, FRONT SECTION		
SIZE	L.H	R.H
11.00"	7438-254	7438-255
12.00"	7438-256	7438-257
14.00"	7438-258	7438-259
17.75	7438-262	7438-263

BG-3 X & R AXIS (SIDE VIEW)

ITEM	DESCRIPTION	PART NUMBER
1	Block, second stop push	7437-747
2	Block, second stop	7437-746
3	Stop, second	7437-742
4	Finger, rear section	7438-248
5	Finger, front section	(see chart)
6	Block, second stop	7437-745
7	Stop, front	7437-742
8	Block, runner	3162-403
9	Roller block assy.	7342-045
10	Housing, bearing	7486-632
11	Bearing, radial	3178-699
12	Pulley, BG screw	7437-761
	Flange, pulley	3415-595
	Key	3301-432
13	Spacer, pulley	7486-597
14	Ball screw assy. (20")	3358-129
	Ball screw assy. (40")	3358-134
15	Base, BG	7486-643
16	Bearing, radial	3178-694
17	Cover	7486-588

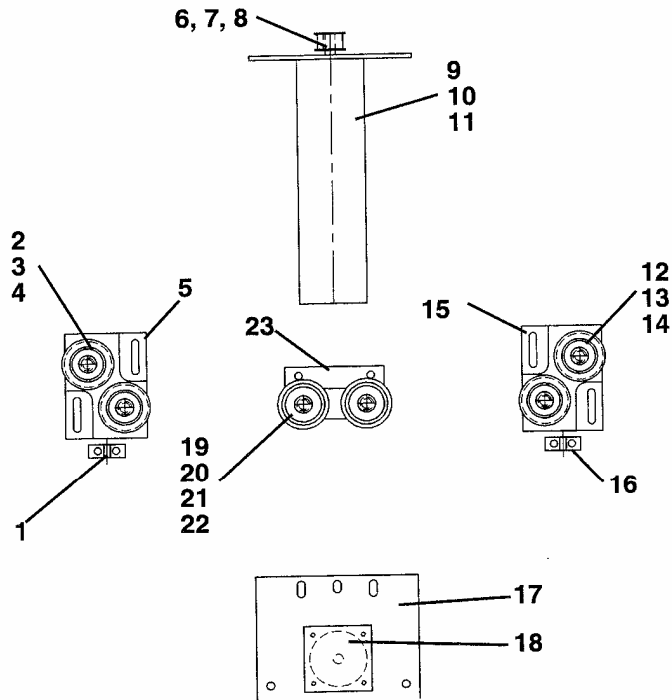
BG-3 CNC BACK GAUGE



BG-3, X1-AXIS MOTOR & SLIDE (SIDE VIEW)

ITEM	DESCRIPTION	PART NUMBER
1	Ball screw drive slide assy.	3162-520
2	Plate, brake mounting	7438-267
3	Brake, 24V	4250-630
4	Plate, motor mouting	7438-179
5	Motor, servo	4450-075
6	Coupling, THK motor	3162-557
7	Shaft, motor brake ext.	7438-266
8	Coupling	3162-560
9	Cable, motor	4197-227-XX
10	Cable, encoder	4197-259-XX

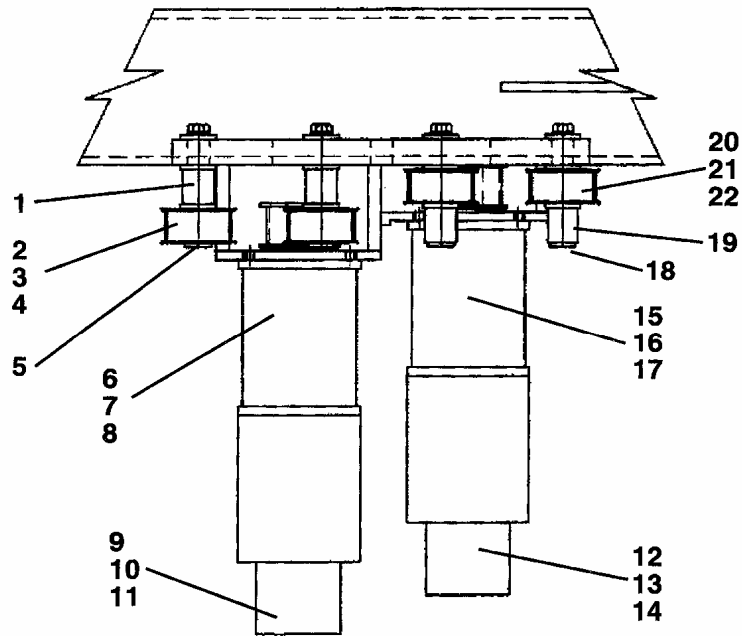
BG-3 CNC BACK GAUGE



BG-3 X- AXIS MOTOR & PULLEYS (END VIEW)

ITEM	DESCRIPTION	PART NUMBER
1	Block, fine adj. idler pad	7437-961
2	Roller, tension	7437-717
3	Bearing, radial	3178-699
4	Shaft, idler	3412-298
5	Pad, R.H. adj. idler	7437-870
6	Pulley, motor	7438-176
7	Flange, pulley	3415-594
8	Key	3070-00-1690
9	Motor, servo	4450-081
10	Cable, motor	4197-199-XX
11	Cable, encoder	4197-196-XX
12	Roller, tension	7437-717
13	Bearing, radial	3178-699
14	Shaft, idler	3412-298
15	Pad, L..H. adj. idler	7437-857
16	Block, fine adj. idler pad	7437-961
17	Plate, X-motor mounting	7438-079
18	Motor, servo	4450-081
19	Pulley, idler	7437-855
20	Flange, pulley	3415-597
21	Bearing, radial	3178-699
22	Shaft, idler	3412-298
23	Pad, idler	7437-856

BG-3 CNC BACK GAUGE



BG-3, Z1-Z2-AXIS MOTOR & PULLEYS (FRONT VIEW)

ITEM	DESCRIPTION	PART NUMBER
1	Spacer	7438-112-ND
2	Pulley, Z-axis idler	7438-071
3	Bearing, Radial	3162-692
4	Flange, pulley	3415-598
5	Shaft, Z-axis pulley	7438-065
6	Gearhead, planetary	4450-077
7	Pulley, drive	7438-178
8	Flange, pulley	3415-598
9	Motor, servo	4450-075
10	Cable, motor	4197-227-XX
11	Cable, encoder	4197-259-XX
12	Motor, servo	4450-075
13	Cable, motor	4197-227-XX
14	Cable, encoder	4197-259-XX
15	Gearhead, planetary	4450-077
16	Pulley, drive	7438-178
17	Flange, pulley	3415-598
18	Shaft, Z-axis pulley	7438-065
19	Spacer	7438-112-ND
20	Pulley, Z-axis idler	7438-071
21	Bearing, Radial	3162-692
22	Pulley, Z-axis idler	7438-071